

# Fingerprint Lock

## USER MANUAL



Model: LA9-388

- Thank you for choosing ADEL- a professional manufacturer of fingerprint lock.
- Please read this manual carefully before operation.
- Please keep this manual for later reference.

## Handle orientation of the lock

Left handed: Standing out of the door, if the hinge is on the left, it is Left handed lock.

Right handed: Standing out of the door, if the hinge is on the right, it is Right handed lock.



## Packing List

		
Front plate (including rubber gasket) 1pc	Back plate (including rubber gasket) 1pc	Single latch(2 3/8 " ) 1pc
		
Single latch(2 3/4 " ) 1pc	Mechanical key (2pcs)	Cylinder cover opener (1pc)
		
Strike (1pc)	Strike plate (1pc)	Installation template (2pcs)

		
Square spindle (1pc)	Pan screw M4×L2 (1pc)	Fixing screw M5×L1 (2pcs)
		
Screw connector A (2pcs)	Screw connector B (1pc)	Tapping screw (M4 X 25) (4pcs)
		
Hexagon screwdriver (2pcs)	User manual(1pc)	AA alkaline battery (4pcs)
		
Quality certificate (1pc)		

## Important Safety, Installation and Operation Information

1. Keep keypad and Sensor lock away from corrosive material.
2. Read instructions before installing, correct installation allows the lock to operate and function properly.
3. “Quick Starter Guide” on the following page.
4. Tearing off the label from the front plates on the inside or disassembling the lock plates without help from an ADEL technician will void the manufactures warranty.
5. Familiarize yourself with the ADEL lock by reading the installation and operation guide. For question on installation and operation E-mail ADEL at: [info@adelfingerprint.com](mailto:info@adelfingerprint.com).

## Quick Starter Guide

### 1. Locate the Buttons

Remove the battery protector plate to expose the battery panel. You will see two Hex screws above the batteries. You will need to remove the two Hex screws with the Allen Wrench provided. (refer to the diagram 2.2). After removing the Hex Screws you will need the two Allen Wrenches (provided) to create a master fingerprint.

### 2. Create a master fingerprint

Use both Allen Wrenches and insert them into the two holes where the two Hex Screws were, press them inward at the same time, you will here a loud long Beep. The sensor and the LED lights will be flashing. Place your index or middle finger or thumb on the flashing sensor immediately, making sure you do not move or slide your finger while enrolling. You will hear a long beep if it is a successful enrollment. Quickly lift your finger off the sensor (raise your finger up), and press your finger down on the sensor one more time. You will hear a long beep for a successful enrollment. If you hear two short beeps, you have not successfully enrolled your fingerprint. Repeat the above procedure from the beginning. Every enrollment of a fingerprint master and an entry fingerprint requires two fingerprint templates, which is why you must lift your finger and press the sensor twice while enrolling. After successfully enrolling your master fingerprint, replace the Hex Screws and the battery protection plate. You are ready to enroll new users.

### 3. Create a entry fingerprint (enroll a user's fingerprint)

Setting state: Place the master finger on the sensor, a long beep will be heard, the red and green LED light will flash and two digital numbers “00” will show on the display. A successful recognition will set the lock into a setting state. (A setting state means that the lock is ready to add and delete fingerprints or change entry code)

To add a fingerprint: let's say the user number is 01.

In the setting state, press “+” then you will hear a long beep, the display shows a

Number “0” flashing. Press “#” to confirm the first number “0” (show on the display) and then press “+” (to increase the second number) once and followed by “#” (to confirm the second number “1”), after the user number is confirmed, the lock starts enrolling number “01” fingerprint. Now you can enroll fingerprint “01”.

#### 4. To delete fingerprint: number “01”

Set the lock into setting state: put the master finger on the sensor. While the lock is in the setting state, press “-”, then followed by “#” (This step is to confirm that the master wants to delete users) you will see a “0” on the display, press “#” to confirm the number, and then press “+” (increase the second number to “1”) followed by “#” to confirm the second number. Now you will hear a long beep, which means that you have successfully deleted the fingerprint user “01”.

How to set 10th digit.

We use number 48 as an example. When adding a user number 48, first, set the lock to setting status by scanning the master fingerprint, then press “+” in order to enroll fingerprint. Secondly press “+” until it arrives to number 4, press “#” to confirm the 10th digit number. Then press “#” until it arrives to number 8 follow by pressing “+” to confirm the 1st digit number. The lock is now ready to take the number 48 fingerprint. Same as to delete the number 48 fingerprint. The only difference is to press “-” which tells the lock go to deletion mode.

#### 5. Key pad description, when enrolling fingerprint

“+” Means to enroll fingerprint, it also have the feature of increase the number from 0 to 9

“-“ Means to delete fingerprint, it also have the feature of decrease the number from 9 to 0

“\*” Means to cancel current operation

“#” Means to confirm

#### 6. Keypad description, in normal state

“+” Means to increase the number from 0 to 9

“-“ Means to decrease the number from 9 to 0

“\*” Means to set the lock to passage mode

“#” Means to wake up the sensor

# CONTENTS

<b>1.Introduction</b>	1
1.1 Feature	1
1.1.1 Model number	1
1.1.2 Main features	1
1.2 Structure & Components	2
1.3 Size & Weight	2
1.3.1 Size	2
1.3.2 Weight	3
1.3.3 Operation features	3
1.3.4 Operating Environment	3
<b>2.Operation instruction</b>	4
2.1 Operation instruction	4
2.2 How to set Master fingerprint	4
2.3 How to set the emergency PIN Number?	5
2.4 How to enroll user fingerprint?	6
2.5 How to erase the user fingerprint?	7
2.6 Three ways to unlock	8
2.6.1 To unlock with user fingerprint	8
2.6.2 To unlock with emergency PIN	8
2.6.3 To unlock with mechanical key	8
2.7 Passage mode	9

2.7.1 How to set the lock into passage mode? .....	9
2.7.2 How to cancel the passage mode? .....	9
2.8 Changing batteries .....	9
2.9 External power supply .....	9
<b>3.Installation</b> .....	10
3.1 Door requirement .....	10
3.2 Cylindrical size .....	10
3.3 Installing template .....	11
3.4 Installation steps .....	13
3.5 Tips for installation .....	14
<b>4.Maintenance</b> .....	15
4.1 Daily maintenance .....	15
4.2 Troubleshooting .....	15
<b>5.Aftersales service</b> .....	17
5.1 Warranty Policy .....	17
5.2 What is not covered by this warranty? .....	17
5.3 How to obtain warranty service? .....	17
<b>6.Appendix</b> .....	17
6.1 Technical parameters .....	18
6.2 Fingerprint number & user name list .....	19

# 1.Introduction

## 1.1 Feature

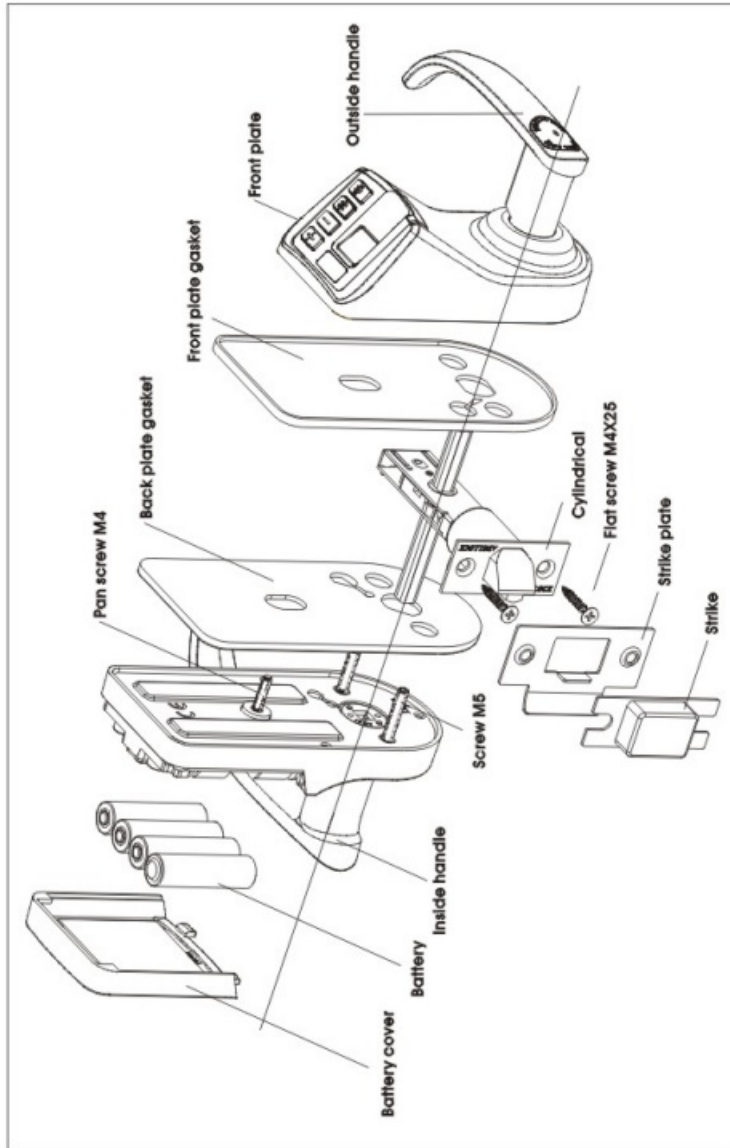
### ● 1.1.1 Model number

<b>Model</b>	<b>LA9-388</b>
<b>Picture</b>	

### ● 1.1.2 Main features

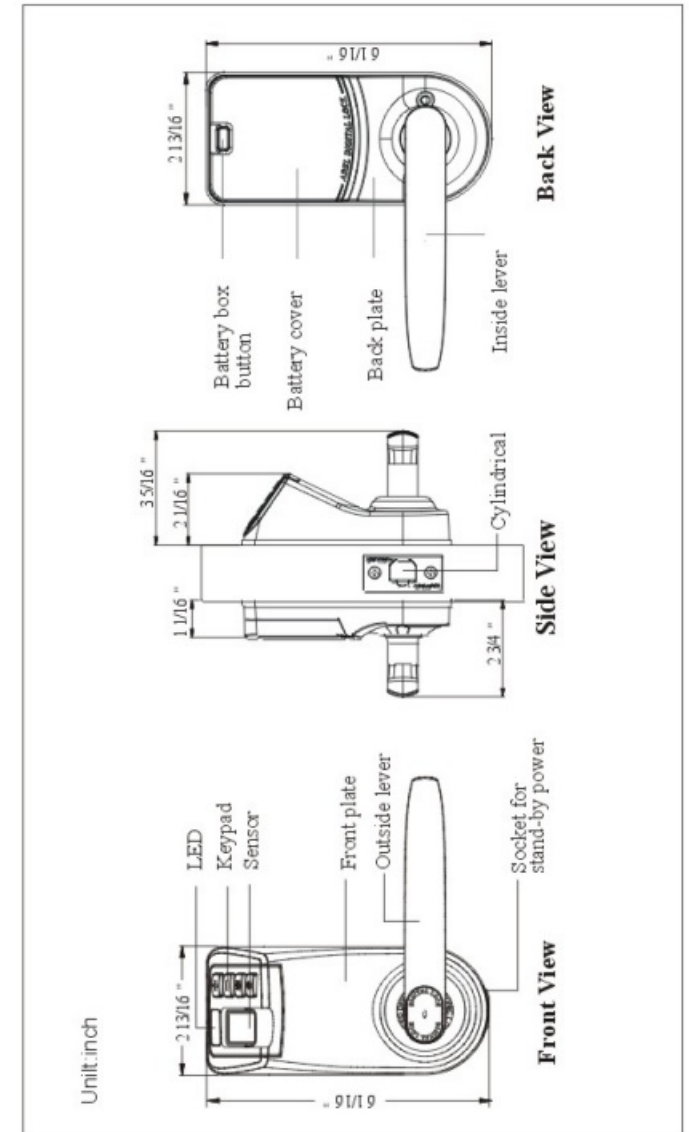
- Three ways to unlock: Fingerprint, keypad and mechanical key
- LED number display
- Automatic fingerprint sensor
- 99 fingerprint users plus 1 master user
- Each fingerprint user has its number from 00 to 99
- Master can set fingerprint users
- Low Voltage alert
- Stainless steel latch

## 1.2 Structure & Components



## 1.3 Size & Weight

### 1.3.1 Size (inch)



### 1.3.2 Weight

Parts	Net Weight
Front plate	2.14 lb.
Back plate	1.45 lb.
Cylinders	0.27 lb. X 2pcs
Accessories	1.1 lb.
Total	5.23 lb.

### 1.3.3 Operation features

1. Under normal operating voltage, users can unlock with PIN or fingerprint, or mechanical keys.
2. When battery voltage is too low, users can unlock with a 9V battery (not provided) as external power (refer to 2.9).

### 1.3.4 Operating Environment

Operating Temperature	5F~140F
Humidity	15%RH-95%RH

## 2. Operation instruction

### 2.1 operation instructions

#### 2.1.1 Basic function of buttons

1. "+" to increase numbers or to start enroll fingerprint
2. "-" to decrease numbers to start delete fingerprint
3. "\*" to cancel or set to passage mode
4. "#" to confirm or activate fingerprint scanner

### 2.2 How to set Master fingerprint

The default master fingerprint number is "00", ONLY ONE master can be set for each lock. The master can add or delete users, however the master fingerprint can not unlock the door lock.

1. Remove the battery cover and unscrew the two Hex screws above the batteries with the two Allen Wrenches provided. (See picture below).
2. Insert the two Allen Wrenches, one in each hole, and push the Allen Wrenches at the same time. You will hear a beep, the indicator flashes, and the LED flashes with the "00" displayed in Red, this indicates the lock is ready for setup.
3. Place the finger that you wish to be the Master finger on the sensor, LED shows "00", a beep will be heard, the green indicator flashes, when the red light under sensor goes out, remove the Master finger from the sensor;
4. The red light under sensor flashes again, place the same finger on the sensor immediately for second enrollment, the buzzer beeps once, the green indicator and red light under sensor goes out, the LED stops displaying, which shows the successful setup of Master fingerprint.
5. Add: Replace the two Hex screws and the battery cover.



**NOTE:**

1. The thumb fingerprint is recommended to be set as the Master fingerprint;
2. When Red indicator lights flash and two short beeps are heard, this indicates that the initial setup failed. Repeat steps 1 to 4 on the previous page;
3. Once the Master fingerprint was set, it cannot be erased, but could be covered with a new one. The newly set Master fingerprint will cover the old one automatically. If the Master fingerprint was changed, ALL the user fingerprints enrolled under old Master fingerprint would be erased. User needs to reenroll his finger under the new Master fingerprint.

### 2.3 How to set the Emergency PIN Number

Each lock uses ONE pin number.

1. Uncover the battery box, screw off the 2 pcs of hexagon screws with provided hexagon screwdriver ( refer to below picture );
2. Press the 2 setup buttons that is hided under the 2 screws with the 2 hexagon screwdrivers provided at the same time, a beep will be heard, the indicator flashes, the LED flashes with number "00", the red light under sensor flashes, which shows the lock is waiting for setup;
3. Press "+" or "-", all indicators go out, LED flashes with number "0" ;
4. Select the first digit of the user number by pressing "+" or "-", press "#" to enter, set the rest 7 digits in the same way, press "#" to enter the last digit, a beep will be heard, the green indicator lights, the emergency PIN that is just set would display on the LED quickly. Later on, the green indicator and LED goes out, which indicates the successful setup of emergency PIN.



**NOTE:**

1. When the red indicator flashes, follows 2 short beeps, which indicates the failed setup;
2. Once the emergency PIN was set, it cannot be erased, but could be covered with a new one.
3. Button "\*" could be used to cancel current operation at any time;
4. While setting the emergency PIN, the confirmed digit will move to fore digit automatically, the flashing digit is the digit to be selected and confirmed.

### 2.4 How to enroll user fingerprint?

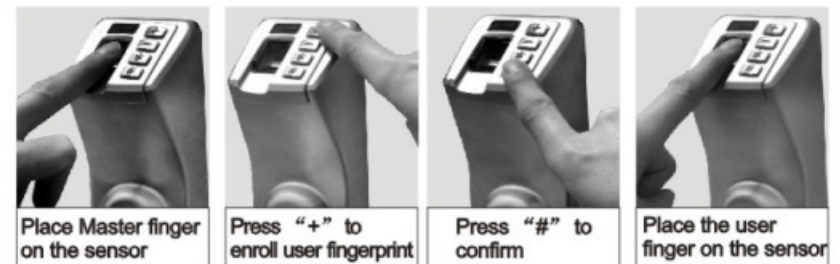
Users fingerprint must be enrolled after the authorization of the master fingerprint. We use number 48 as an example.

When adding a user number 48, first, set the lock to setting status by scanning the master fingerprint. (A long beep indicates a successful recognition, two shot beeps indicates a failure in recognizing or enrolling)

Press "+" in order to enroll fingerprint. A long beep and number 0 is flashing on the display.

Press "+" until the 10<sup>th</sup> digit number is arrived to number 4, then press "#" to confirm the 10<sup>th</sup> digit number. A long beep will be heard and the 1<sup>st</sup> digit 0 starts flashing. Then press "+" until the 1<sup>st</sup> digit arrives to number 8 follow by pressing "#" to confirm the 1<sup>st</sup> digit number. The lock is now ready to take the number 48 fingerprint.

Place the fingerprint you wish to set up. (The lock takes two different fingerprint templates from the same finger in order to complete one successful fingerprint enrollment. In between the progress of taking the two templates, you must lift up your finger and put it back again.)



**NOTE:**

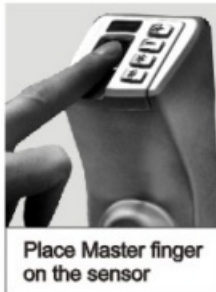
1. The lock has an auto sensor mechanism, to activate the lock simply place your fingerprint on the sensor window or press “#” to activate the lock manually.
2. Fingerprint No. “00” is used ONLY for Master Fingerprint, cannot be used as user fingerprint No.;
3. Fingerprint No. “01 ~ 99” are used for user fingerprints;
4. Each fingerprint No. can only be used for one user fingerprint, if the user fingerprint No. is already used, the red indicator flashes once and the buzzer beeps once to alarm the occupation of this user fingerprint Number.

## 2.5 How to erase the user fingerprint?

When deleting a user number 48, first, set the lock to setting status by scanning the master fingerprint. (A long beep indicates a successful recognition, two shot beeps indicates a failure in recognizing or enrolling)

Press “-” to delete fingerprint. A long beep and number 0 is flashing on the display.

Press “+” until the 10<sup>th</sup> digit number is arrived to number 4, then press “#” to confirm the 10<sup>th</sup> digit number. A long beep will be heard and the 1<sup>st</sup> digit 0 starts flashing. Then press “+” until the 1<sup>st</sup> digit arrives to number 8 follow by pressing “#” to confirm the 1<sup>st</sup> digit number. A long beep will indicate the lock is now has deleted the user number 48 fingerprint.



**NOTE:**

To erase one user fingerprint No. will just erase the SINGLE user, the other user fingerprints save in the lock remain valid.

## 2.6 Three ways to unlock

### 2.6.1 To unlock with user fingerprint

1. Place an enrolled user finger on the sensor, the lock is activated after the embedded infrared detector detects the finger. ( or press “#” , the green indicator lights, the red light under sensor flashes, place the enrolled user finger on the sensor );
2. The green indicator lights, the inside motor is activated;
3. Rotate the outside lever to unlock.

**NOTE:**

1. After the inside motor is activated, if you didn't rotate the outside lever to unlock within 5 seconds, the door will be locked again automatically;
2. If invalid finger was used 10 times continuously, the sensor will be locked, valid user fingerprint and emergency PIN can cancel the locked status, or the locked status will be deleted in 1 minute automatically.

### 2.6.2 To unlock with emergency PIN

1. Press “+” or “-”, number “0” will flash on LED, enter the 8 digits emergency PIN digit by digit (Remember to press “#” to confirm every digit you selected);
2. The buzzer beeps once, the green indicator lights, the inside motor is activated;
3. Rotate the outside lever to unlock.

**NOTE:**

1. If the wrong emergency PIN was input, the buzzer will double beep, and red indicator lights;
2. If invalid PIN was entered 3 times continuously, the keypad will be locked. Any valid user fingerprint or emergency PIN can cancel the locked status, or the locked status will be deleted in 1 minute automatically;
3. If invalid user fingerprint and emergency PIN were used one after the other, then you have to wait till the locked status be deleted in 1 minute automatically.

### 2.6.3 To unlock with mechanical key

When you failed in unlocking with finger or PIN, you can unlock with provided mechanical keys.

1. Take off the cylinder cover with provided cylinder cover opener;
2. Insert mechanical key into the keyhole, turn the key ( 90° anticlockwise if right handed lock, 90° clockwise if left handed lock);
3. Rotate outside lever to open.

**NOTE:**

Mechanical key can unlock the door at any time. Keep them properly.

**2.7 Passage mode**

**Definition:**

The lock is in open status all the time. Anybody can rotate the handle to get access at any time. This mode is suitable for office or meeting room.

**2.7.1 How to set the lock into passage mode?**

Step 1: Unlock the door with emergency PIN or enrolled user fingerprint, but do not rotate the outside lever to open:

Step 2: Within 5 seconds after unlocking the door with either finger or PIN, press and hold “\*” for 2 seconds, a long beep is heard then release “\*”, the green indicator flashes regularly, which indicates the successful setup of passage mode.

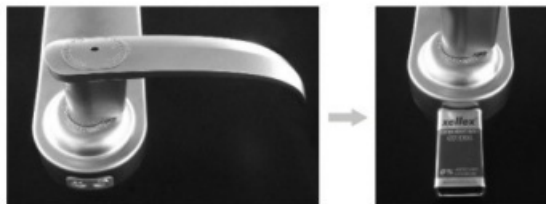
**2.7.2 How to cancel the passage mode?**

Unlock the door with either valid fingerprint or emergency PIN, a short beep is heard, the lock comes back to locked mode.

**2.8 External power supply**

If the operating voltage is not high enough to continue the operation, a 9V battery (not provided) could be used as power supply for emergency operation. The anode of 9V battery should be on the left, the cathode should be on the right of

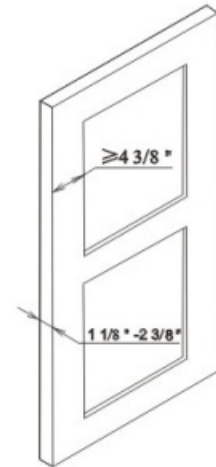
The front lock plate ( as shown in below picture). But please change the batteries as soon as you can.



**3. Installation**

**3.1 Door requirement**

- Wooden door with thickness from 1 1/8 " - 2 3/8 " ;
- If the door surface is decorated, the distance from the decorative edge to the door frame must be above 4 3/8 " .



**3.2 Cylindrical size**

Unit:inch

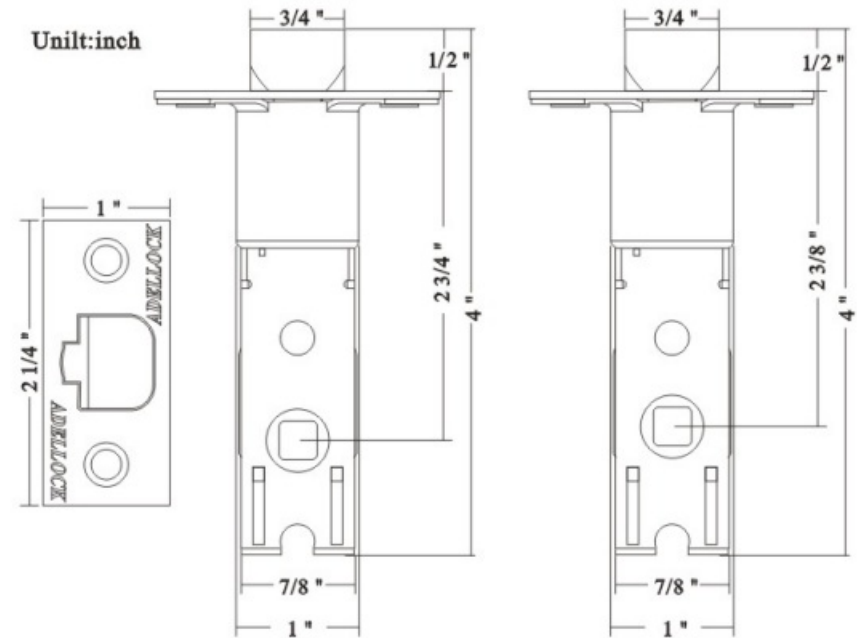
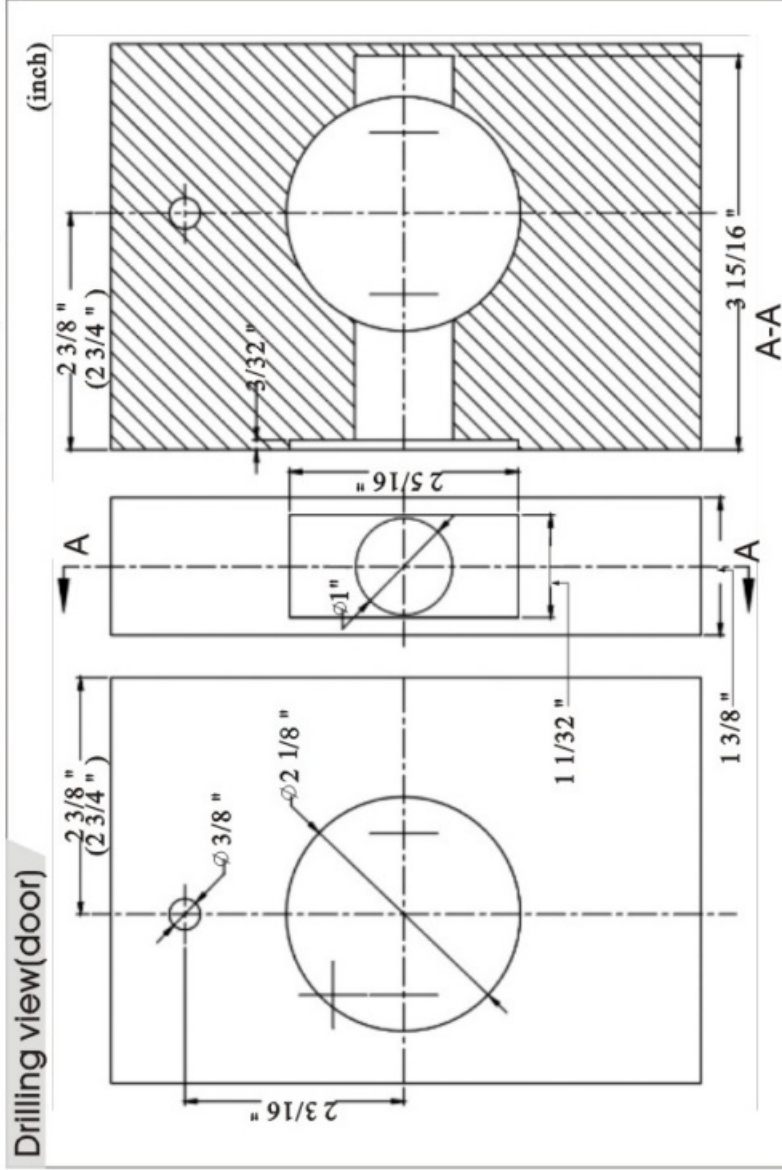


Figure A

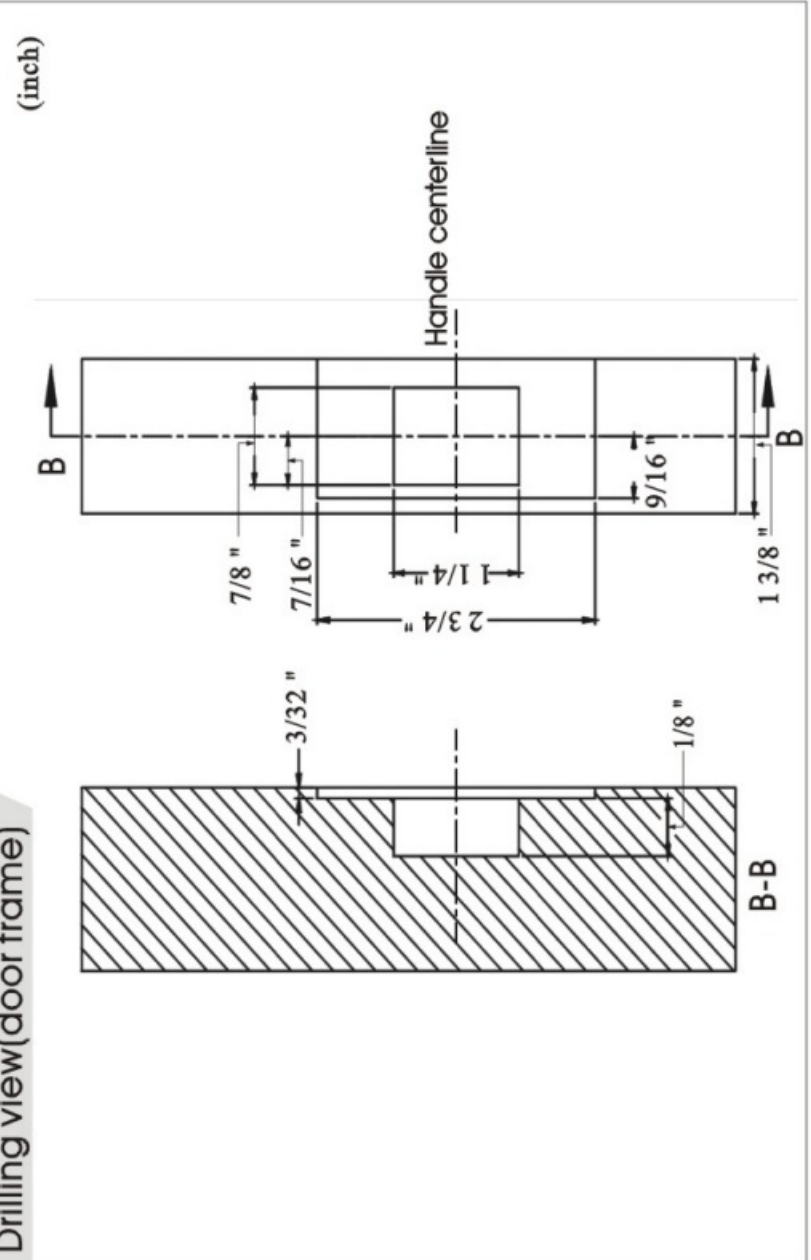
Figure B

**3.3** Installation template






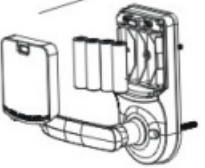
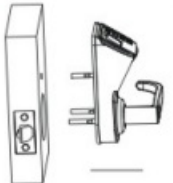

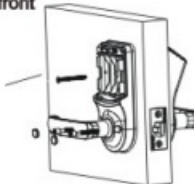
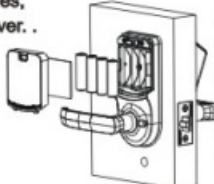
Model LA9-388 lock drilling view(door)

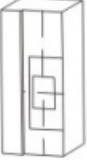

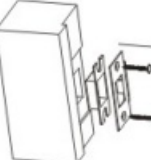



Drilling view(door frame)



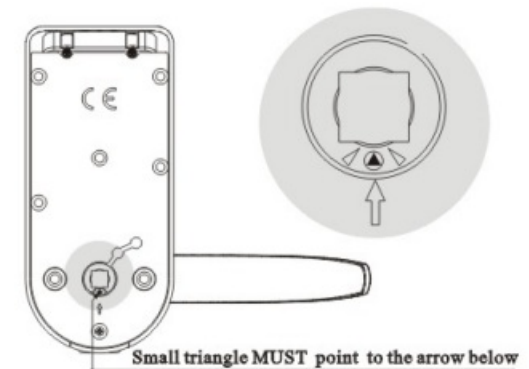
### 3.4 Installation steps

<p>1. Draw handle center line as your request, the recommended height for it is 1m above the ground.</p> 	<p>2. Mark the door for drilling hole with a pencil according to installation template.</p> 
<p>3. Drill the door from both sides of the door with electric drill.</p> 	<p>4. Drill the latch cavity and side plate groove.</p> 
<p>5. Put the latch into latch cavity, fix the side plate in the door with screw M4 x 25.</p> 	<p>6. Take apart the battery cover, take out the batteries.</p> 
<p>7. Fix front plate on the door.</p> 	<p>8. Make the square spindle through the hole of latch then into the front plate.</p> 
<p>9. Fix back plate with front plate by screw M5.</p> 	<p>10. Put in the batteries, close the battery cover.</p> 

<p>11. Mark position of strike and strike plate with a pencil according to installation template.</p> 	<p>12. Cut grooves for strike and strike plate with a chisel.</p> 
<p>13. Fix strike and strike plate in the door frame with screw M4 x 25.</p> 	<p>14. Test the lock as per operation instruction.</p> 

### 3.5 Tips for installation

1. Before you fix the front plate on the door, make sure the protuberant spot on the back of front plate is in the position as below:



2. After the square spindle was put into the clutch of front plate, DO NOT turn the square spindle;  
 3. Please rotate the inside handle when tighten the screw under the handle to avoid scratching the back finish.

# 4. Maintenance

## 4.1 Daily maintenance

- A. Keep away from corrosive material.
- B. Do not hang anything on the handle.
- C. Keep the sensor surface clean and dry. Wipe it with soft and dry cloth if any stain on it.
- D. When the batteries are running down, the red indicator flashes to alert low voltage. Although you still can unlock the door 20-30 times, you should replace the batteries as soon as possible.
- E. Keep the mechanical keys carefully to prevent from being burglaried.

## 4.2 Troubleshooting

Problems	Possible reasons	Solution
Does not enroll	The reason for that is the lock will only recognize two different templates from the same finger.	when enrolling fingerprint, the lock takes two fingerprint template for one fingerprint user, in between the template you must lift the finger and put it back again.
after successful enrollment, the sensor can recognize your fingerprint and you can also hear the motor clutch sound. However the lock does not unlock.	incorrect installation	go back to the installation. At the back of the front part of the lock, there is a little arrow pointing upward, towards the clutch. There is a little triangle on the clutch. The arrow should point to the triangle is the correct installation position.

Problems	Possible reasons	Solution
the mechanical key does not turn to 90 degrees	incorrect installation	go back to the installation. At the back of the front part of the lock, there is a little arrow pointing upward, towards the clutch. There is a little triangle on the clutch. The arrow should point to the triangle is the correct installation position. Then try to turn the key.
after the fingerprint sensor is activated, the sensor read light keeps on flashing	the batteries are not installed correctly	check the battery.
after use the lock, it give a alert sound	the alert sound indicates the battery is nearly flat	change all the batteries

## 5. Aftersales service

### 5.1 Warranty Policy

1. Do not tear off the little label on the inside of the front plate; do not take apart the lock plates without authorization. Such attempt might result expiration of the warranty from the manufacturer.
2. We warrant ADEL fingerprint lock against defects in material or workmanship under normal use for a period of twelve months from the date we shipped your product.
3. We may repair or replace the defective part(s) or units with a new part(s) or unit or at our option with a refurbished part or unit that is not new but has been functionally tested at no cost to client within the 4.warranty period. In this situation Ideal bears return shipping cost.  
If repair is required after warranty period, we can do that for client, but cost of parts and return freight will be charged.

### 5.2 What is not covered by this warranty?

1. Damage caused by improper installation or maintenance.
2. Damage from misuse, abuse, accident ( such as dropping ), fire, flood, or acts of nature.
3. Damage from service other than an authorized ADEL distributor.
4. Labor, Cost, and shipping charges for the removal and replacement of defective parts beyond the initial 12-month warranty period.
5. Any transportation and shipping charges.

### 5.3 How to obtain warranty service?

1. If you purchased your lock from Shenzhen Ideal Fingerprint Technology Co., Ltd. online or over the phone: Please contact the manufacturer's service centre by sending email to: [marketing@adellock.com](mailto:marketing@adellock.com) or [adellock@globalsources.com](mailto:adellock@globalsources.com). The following info required: A. Lock model number, B. The date of purchase and installation, C. Your detailed address and valid email add., D. A clear description of the problem. E. Your request.
2. If you purchased your lock from Ideal's distributor: Please contact the distributor.
3. If you purchased your lock from another retailer: The retailer's policy applies.

## 6. Appendix

### 6.1 Technical parameters

No:	Item	Technical parameters
1	Fingerprint sensor	Optical sensor
2	Sensor resolution	500 dpi
3	Antistrike ability of sensor surface	Remain good condition after being jabbed with a 4H pencil at a 20cm's distance.
4	Authentication speed	<1 second
5	Authentication methods	1:N or 1:1
6	FRR	≤1%
7	FAR	≤0.0001%
8	Angle for putting finger	Any Angle
9	Fingerprint scanning	Twice to get one fingerprint template
10	Fingerprint template saved	All enrolled fingerprint template will be saved while replacing the batteries
11	User capacity	100 max
12	Light jam	Sunlight resistable
13	Sensor surface	Optical glass with PVD coated
14	Operating voltage	4 AA alkaline batteries, DC 4.5~6.0v or 9V stand-by power.
15	Battery life	Approx 12 months
16	Operating Temperature	-20℃ ~80℃
17	Static current	<30 μ A
18	Dynamic current	100mA~220mA

## 6.2 Fingerprint number & user name list

Fingerprint No.	Name	Fingerprint No.	Name	Fingerprint No.	Name	Fingerprint No.	Name
00	Master	25		50		75	
01		26		51		76	
02		27		52		77	
03		28		53		78	
04		29		54		79	
05		30		55		80	
06		31		56		81	
07		32		57		82	
08		33		58		83	
09		34		59		84	
10		35		60		85	
11		36		61		86	
12		37		62		87	
13		38		63		88	
14		39		64		89	
15		40		65		90	
16		41		66		91	
17		42		67		92	
18		43		68		93	
19		44		69		94	
20		45		70		95	
21		46		71		96	
22		47		72		97	
23		48		73		98	
24		49		74		99	