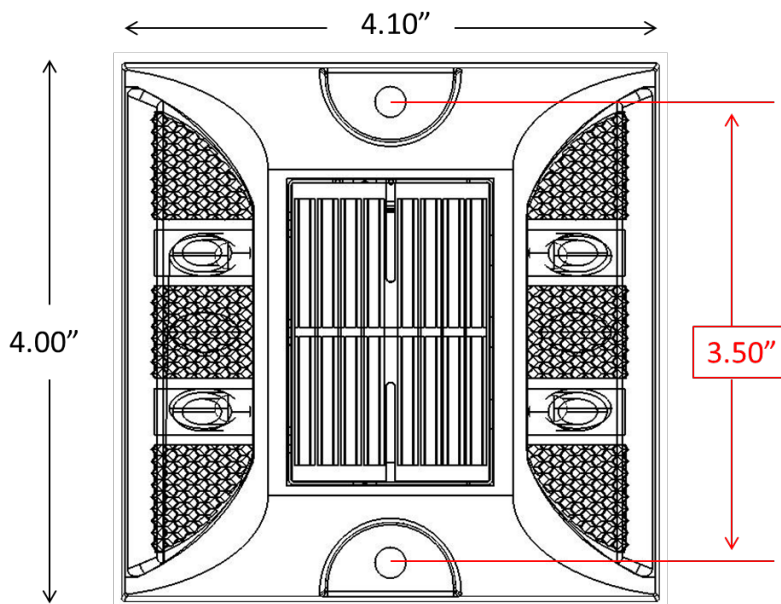
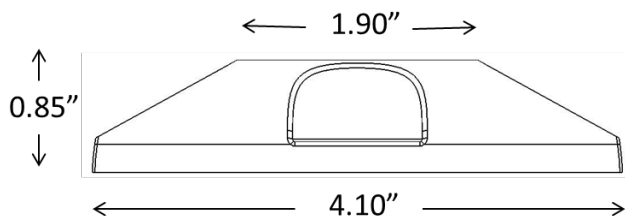
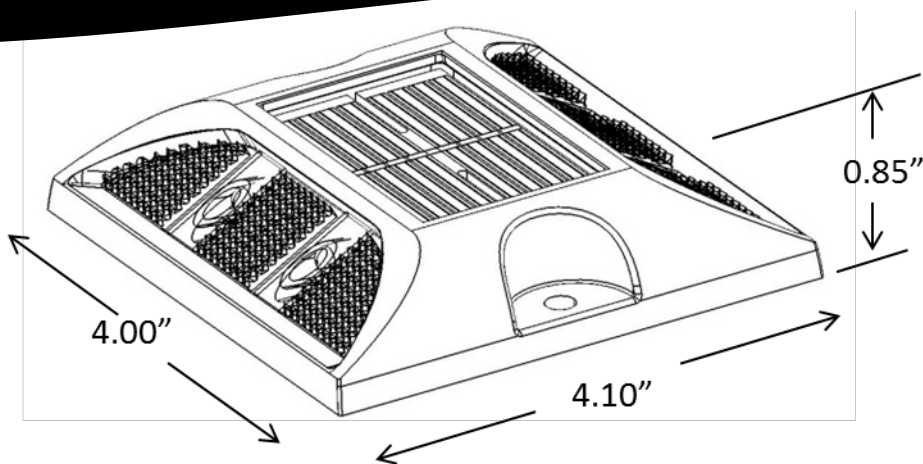


Solar Deck & Dock Lite

MODEL: LL-SDL-DECK-R



Owner Registration Card

Please fill out and affix proper postage and return this owner registration card **within 10 days** to insure that your new Solar Dock Lite is covered by the limited warranty.

Purchaser's Name _____

Address _____

State _____ Zip _____

Purchase Date: _____ Number of Lights: _____

Where Purchased (Store Name): _____

Model No. LL-SDL-DECK-R

UPC No. Varies On Different Models

Lake Lite Inc.

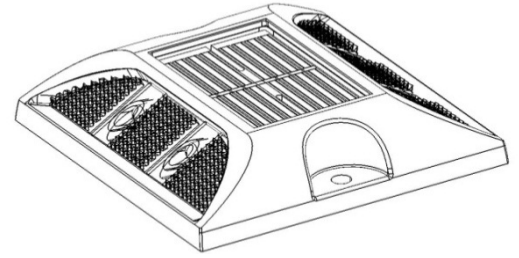
2301 Fairfield Ave, Suite 107, Fort Wayne, IN 46807

Lake Lite Inc. 1-Year Limited Warranty

The retailer warrants the Solar Lites to be free from defects in workmanship and material present at time of shipment from the factory for a period of one year after the date of purchase by the original purchaser. We agree to correct such defects without charge or at our option replace with a comparable or superior model if the product is returned to the retailer. To obtain warranty service, you must present a copy of the receipt as proof of purchase. All costs of removing and reinstalling the product are your responsibility. Damage to any part such as by accident or misuse or improper installation or by affixing any accessories, is not covered by this warranty. There is no other express warranty. The retailer hereby disclaims any and all warranties, including but not limited to, those of merchantability and fitness for a particular purpose to the extent permitted by law. The duration of any implied warranty, which cannot be disclaimed, is limited to the time period as specified in the express warranty. Some states do not allow limitation on how long an implied warranty lasts, so the above limitation may not apply to you. The retailer shall not be liable for incidental, consequential, or special damages arising out of or in connection with product use or performance except as may otherwise be accorded by law. Some states do not allow the exclusion of incidental or consequential damage, so the above exclusion or limitation may apply to you. This warranty gives specific legal rights, and you may also have other rights, which vary from state to state. This warranty supersedes all prior warranties.

Solar Deck & Dock Lite

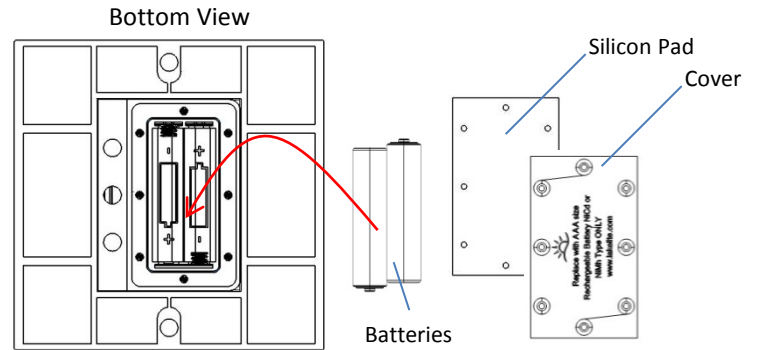
MODEL: LL-SDL-DECK-R



Installing Batteries

1. Remove pull tab if present
2. Install Batteries in correct position
3. Install Silicon Pad over batteries
4. Install plastic Cover over silicon pad
5. Use provided screw to secure cover

(Replace with 1.2v NiCd or NiMh type Rechargeable Batteries ONLY)



Mounting to Surface

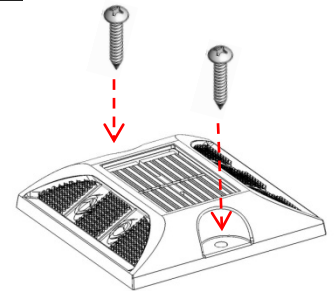
1. Purchase desired mounting screws or bolts
2. Place/Space Deck Lites in desired locations on surface
3. Use pencil to mark mounting holes
4. Use electric drill with small drill bit to make pilot holes
5. Use Screw Driver or Electric Screw Driver to mount unit

Recommended Screw size #10 or #12 size 1" or Longer

2-Screws/Bolts
For each light



Tools Required



Storage Tips (Harsh Winters)



Extreme winter weather can reduce the life expectancy of your Solar Dock Lite

1. Extreme Cold weather can dramatically reduce the life expectancy of your rechargeable Ni-Cd or Ni-Mh battery.
2. Store your Solar Deck Lite inside during cold months when your dock is not in use.



CAUTION: CONTAINS NICKEL-CADMIUM BATTERIES. BATTERY MUST BE RECYCLED OR DISPOSED OF PROPERLY.