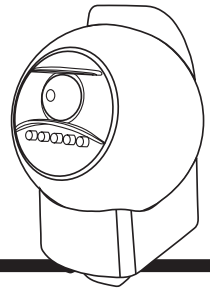


# MOTION-ACTIVATED OUTDOOR LIGHT

Model #s 40230, 40231

ASSEMBLY AND INSTRUCTION GUIDE



## ABOUT YOUR MOTION-ACTIVATED OUTDOOR LIGHT

The *Motion-Activated Outdoor Light* is perfect for doors, steps, porches, decks, sheds, and other outdoor areas.

The *Motion-Activated Outdoor Light* has a built-in motion sensor, which automatically turns on the light when movement of a heat source (such as people, animals, or cars) is detected in the area. The light remains on while motion continues to be detected in the area.

The *Motion-Activated Outdoor Light* also has a built-in photosensor so that the light only turns on at night.

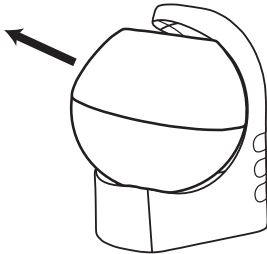
The *Motion-Activated Outdoor Light* may function irregularly or not at all at temperatures near or below freezing (32° F/0° C). Normal operation will return when the temperature rises.

The *Motion-Activated Outdoor Light* requires 4 C cell batteries (not included). The batteries typically last up to 1 year under normal use.

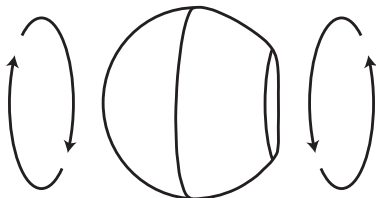
The 5 super bright LEDs in the *Motion-Activated Outdoor Light* have an estimated life of 30,000 hours so they should never need changing.

## BATTERY INSTALLATION

1. The *Motion-Activated Outdoor Light* requires 4 C cell batteries (not included).
2. To access the battery compartment, remove the *Motion-Activated Outdoor Light* from the base by turning the flat end of the light towards the top of the bracket and gently pulling the light out of the base.

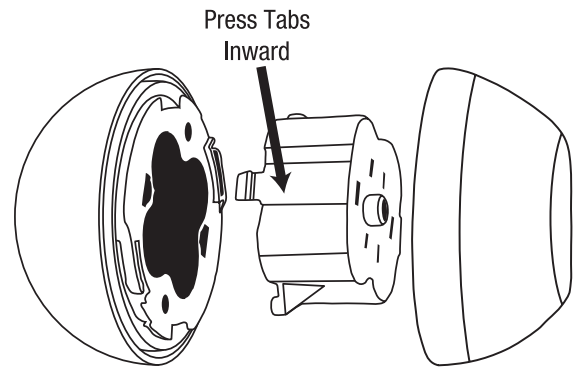


3. Gently twist the front and the back halves of the light in opposite directions to open.

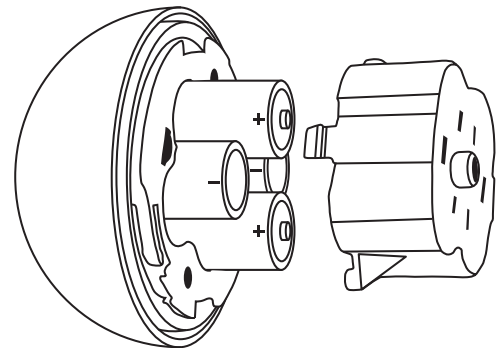


## BATTERY INSTALLATION (CONTINUED)

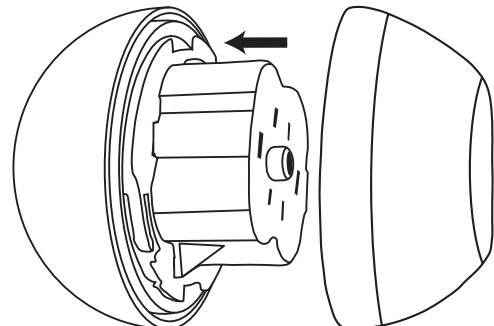
4. Remove the battery compartment cover by squeezing the two tabs on the cover inward.



5. Install the 4 C cell batteries in the proper +/- polarity orientation as shown in the illustration. The positive ends of the batteries should face the low battery contacts and the negative ends of the batteries should face the elevated spring terminals in the battery compartment.

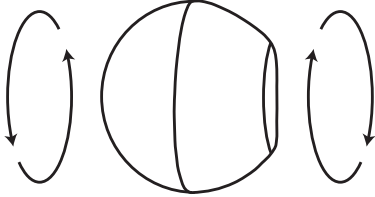


6. Reinstall the battery compartment cover by aligning the tabs and pressing the battery compartment cover into the front half of the *Motion-Activated Outdoor Light* until the battery compartment cover clicks into place.



## BATTERY INSTALLATION (CONTINUED)

7. Reassemble the Motion-Activated Outdoor Light by aligning the tabs on both halves and twisting the two halves back together tightly to ensure a weatherproof seal.



Note: If your *Motion-Activated Outdoor Light* does not turn on after battery installation:

- Make sure the batteries have been inserted matching the correct + / - polarity orientation and are making secure contact with the terminals.
- Make sure you are testing the *Motion-Activated Outdoor Light* in a dark area since the light will only turn on at night.

## CHOOSING A LOCATION

The selected location should not be near light sources such as street or porch lighting as these may cause the *Motion-Activated Outdoor Light* to turn off automatically. The *Motion-Activated Outdoor Light* should also be installed away from heaters, air conditioners, barbecues, vents, and large reflective surfaces such as swimming pools and jacuzzis, and white walls. To avoid damage to some components do not aim the sensor towards the sun.

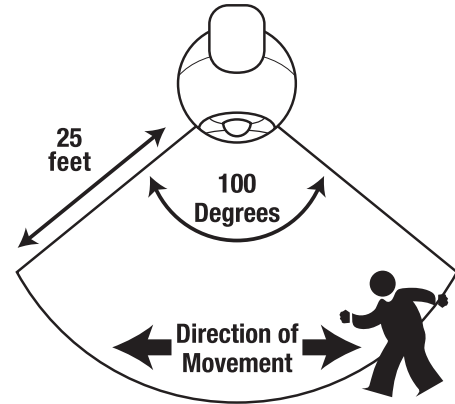
You should also install the *Motion-Activated Outdoor Light* at least 25 feet away from the street since passing cars might activate the light.



Ideally, the *Motion-Activated Outdoor Light* should be mounted 6 to 8 feet (1.8 to 2.5 meters) above the detection area.

## CHOOSING A LOCATION (CONTINUED)

The motion sensor has a detection area of about 25 feet (7 meters) within a 100 degree angle of the sensor. The sensor is more sensitive to movement across the detection area than movement directly towards or away from the sensor.

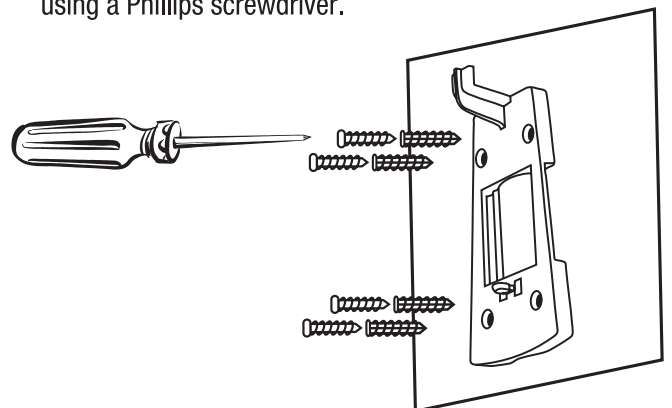


At night, the LED lights will remain on for 12 seconds after the last detected movement. If a movement is detected while the lights are on, the light duration will be reset and remain on for another 12 seconds.

## INSTALLING THE MOUNTING BRACKET

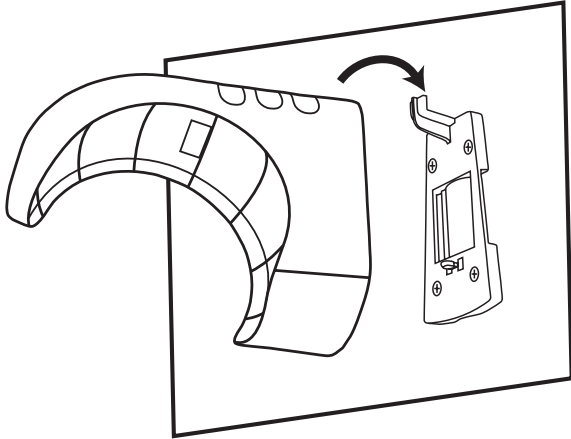
The included mounting bracket can be used to mount the *Motion-Activated Outdoor Light* securely to a wall or other stable surface.

1. Remove the mounting bracket from the bottom of the base by removing the anti-slip rubber piece and pulling on the wider end of the bracket.
2. Place the anti-slip rubber between the mounting bracket and the wall.
3. If you are mounting the bracket on a very hard surface, you may need to drill holes for the screws first. The included screw anchors can be used for drywall, cement, brick, or similar surfaces.
4. Align the mounting bracket and install the four screws using a Phillips screwdriver.



## MOUNTING THE LIGHT

1. Align the hook on the mounting bracket into the slot on the back of the base and press the base onto the mounting bracket until it snaps into place.



2. Gently press the Motion-Activated Outdoor Light into the base and aim the sensor and light in the desired direction.

