



Solar Pathway Light

21070

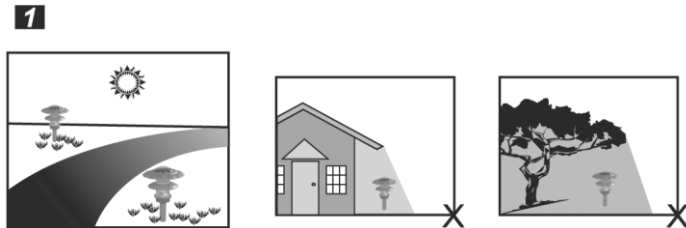
Instruction Manual

Features

- 2 LEDs per unit
- Up to 8 Hours of Runtime on a full charge
- No Wiring Required
- Weather Resistant
- Automatic sensor turns the light on at dusk
- Includes Rechargeable Solar batteries

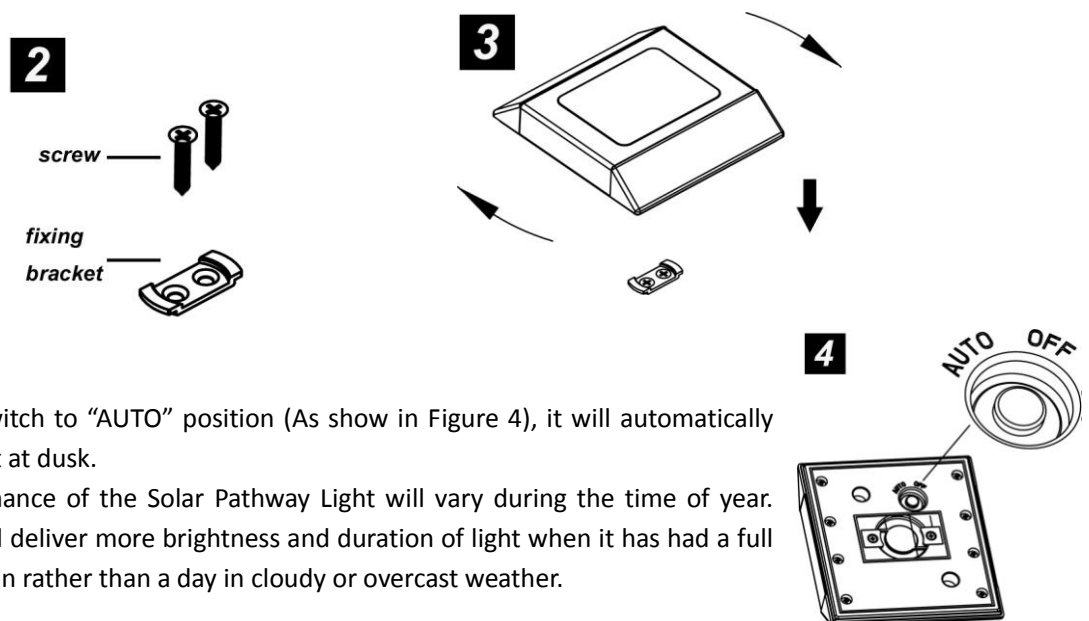
Location of the Solar Pathway Light

For best result, position the Pathway Light where it can get direct sunlight, and is free from cover and shade. (As shown in figure 1). The Solar Pathway Light should be left to charge for 2 sunny days before initial use.



Installation Instructions

- 1) Carefully remove all the fittings from the box.
- 2) Find a suitable location for the Solar Pathway Light
- 3) Screw in position by "fixing bracket with 2 provided screws (as shown in figure 2)
- 4) Assemble Solar Pathway Light to fixing bracket by turning it clockwise (as shown in figure 3)



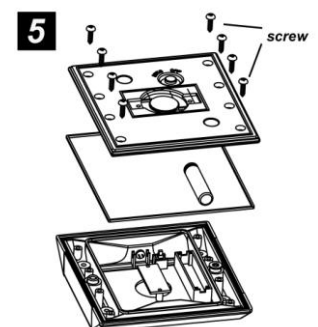
Operation

- 1) Press the switch to "AUTO" position (As show in Figure 4), it will automatically turn the unit at dusk.
- 2) The performance of the Solar Pathway Light will vary during the time of year. The light will deliver more brightness and duration of light when it has had a full day in the sun rather than a day in cloudy or overcast weather.

Replacing the Batteries

For best results Ni-Mh batteries should be replaced every 12 months.

- 1) Release the screw on the back of the unit (as shown in figure 5)
- 2) Remove the old battery. Make sure the new battery is high quality Ni-Mh AA rechargeable battery.
- 3) Install the new battery in to the battery compartment, ensuring the correct polarity is observed.
- 4) Reassemble the unit by replacing the back cover.



Trouble Shooting

If your Solar Pathway Light does not come on at dusk despite observance of all the instructions, please try the following steps:

- 1) Make sure that the solar panel is not being affected by any other light source, if this is the case move your Decorative Solar Pathway Light where there is less light.
- 2) Make sure the solar panel is not located in the shade during the day.
- 3) Make sure the switch is in the AUTO position.
- 4) Check that the batteries are installed correctly

Maintenance

Clean the solar module with a damp towel to insure optimum performance of the Solar Floodlight. Do not use any type of solvent for cleaning and be careful not to put too much pressure on the module while cleaning.

Limited Warranty Proof of Purchase is Required (Receipt) Nature Power warrants our products to the original purchaser that this product is free from defects in materials and workmanship for the period of one year from date of purchase.

For inquiries or more information, kindly visit <http://www.earthtechproducts.com/> or contact:

Earthtech Products, Inc.
10A Merrick Avenue
Merrick, NY 11566
Tel: 1-877-548-3387
Fax: 1-877-548-3387